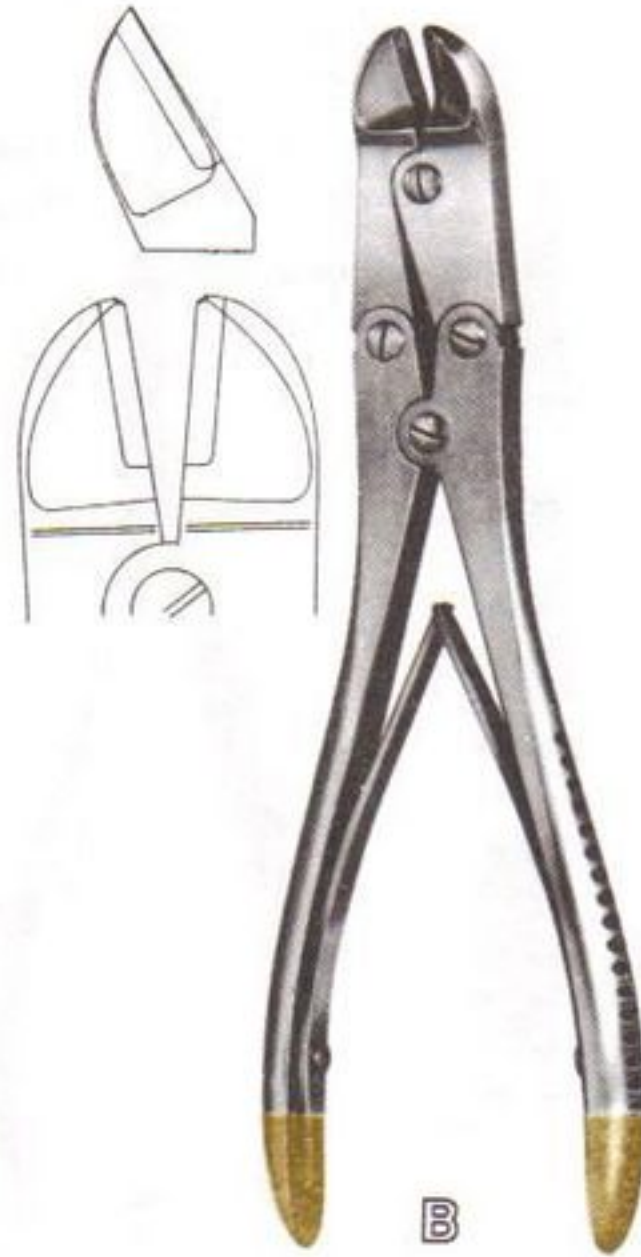




A

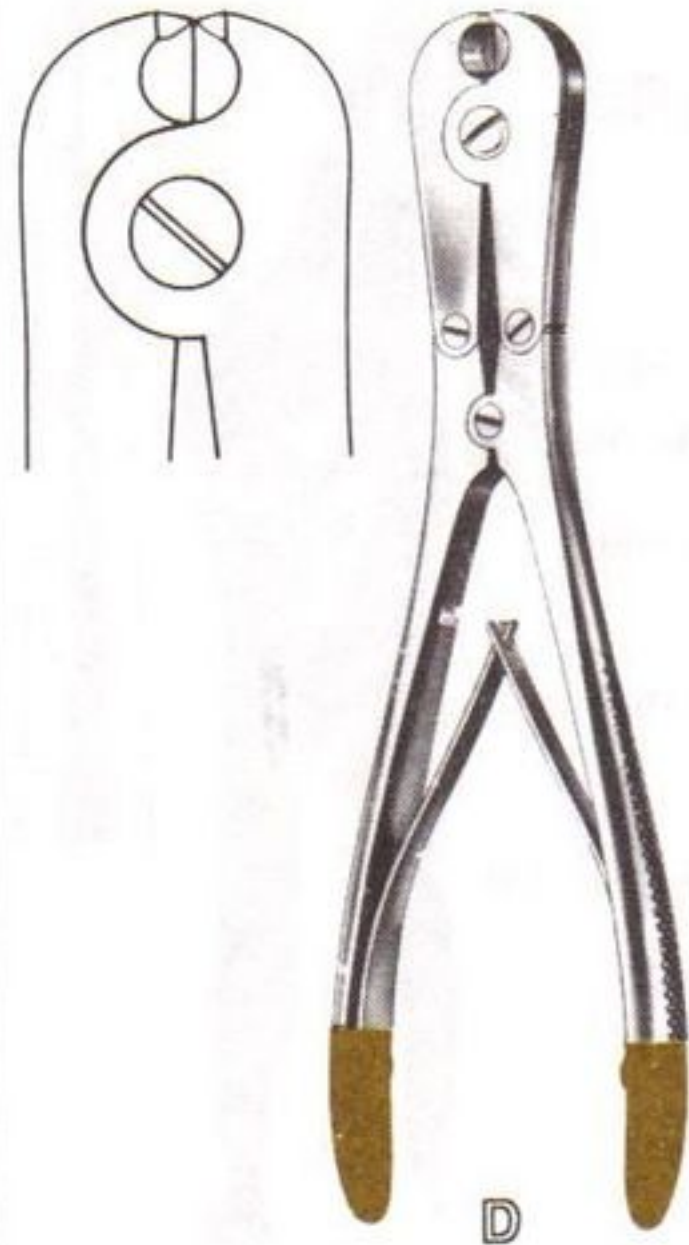


B



C

WIRE and PIN CUTTERS with Tungsten Carbide Inserts



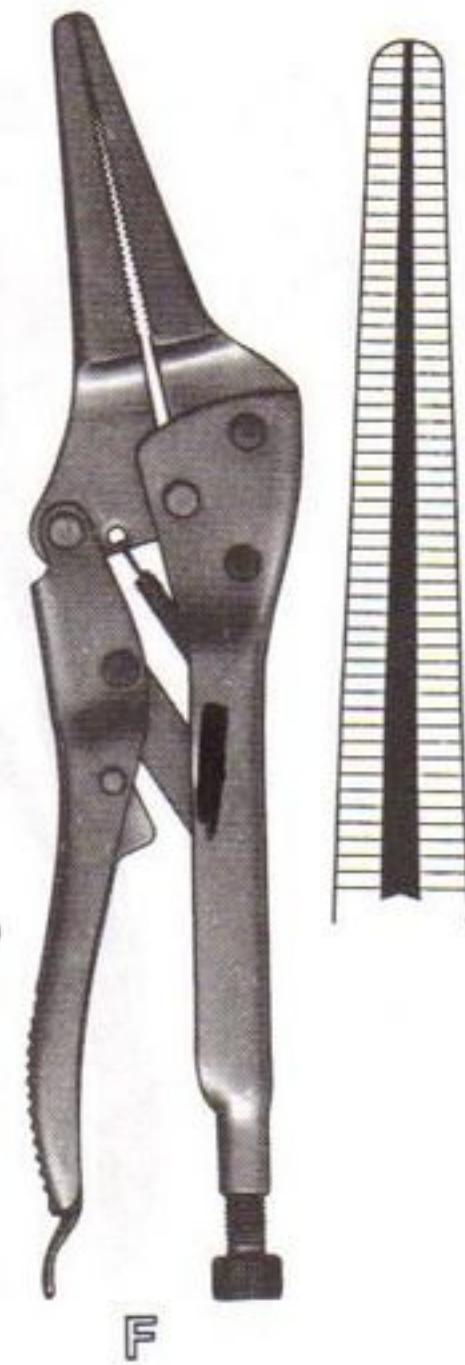
D

- A 706-535 Double Action Wire Cutter, 8 1/2", Angled Side Cutting, with Tungsten Carbide Inserts
- 706-537 Double Action Wire Cutter, 9 1/4", Angled Side Cutting, with Tungsten Carbide Inserts
- B 706-540 Double Action Wire Cutter, 7" Angled Side Cutting, with Tungsten Carbide Inserts
- 706-542 Double Action Wire Cutter, 9" Straight Jaws Side Cutting, with Tungsten Carbide Inserts
- C 706-545 Side Cutter, 7", Side Cutting with Tungsten Carbide Inserts
- D 706-550 Front and Side Wire Cutter, 7" Front and Side Cutting with Tungsten Carbide Inserts, Double Action



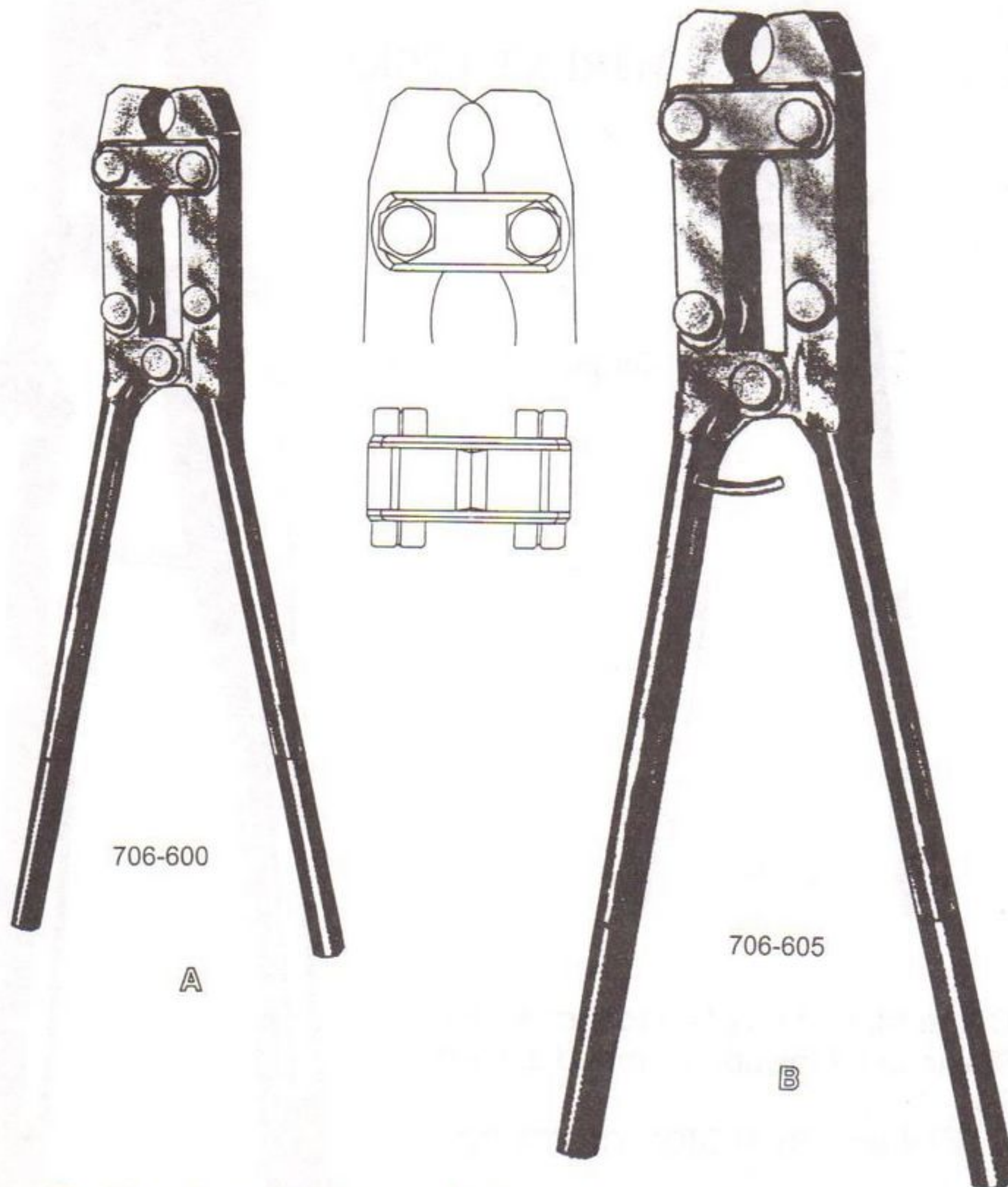
PLIERS AND PLUG CUTTERS

- A 706-555 Slip Joint Pliers
- B 706-560 Double Action Wire Extraction Pliers, 7" 2mm Delicate Jaws, Carbide Insert
- 706-565 Double Action Wire Extraction Pliers 7" 4mm Jaws, Carbide
- 706-570 Double Action Wire Extraction Pliers 7" 6mm Jaws, Carbide Inserts
- C 706-580 Flat Nose Pliers, 5-1/2", Broad 5mm Tip
- D 706-585 Double Action Parallel Pliers and Wire Cutter 4-1/2", Nickel Plated
- E 706-590 Locking Pliers, 8" Self-Locking
- F 706-595 Needle Nose Locking Pliers, 9-1/2", Self-Holding with Groove





PIN and ROD END CUTTER



Cutter for cutting of Kirschner wires.

PIN and ROD END CUTTER

- A 706-600 Pin Cutter, Small, 10" (25.4 cm) end cutting, Max. Cap. 1/8" (3mm)
- B 706-605 Pin Cutter, Medium, 16" (40.6 cm) end cutting, Max. Cap. 3/16" (4.7mm)



**PIN and ROD SIDE CUTTERS
With Tungsten Carbide Inserts**

WIRE CUTTERS

for pins up to \varnothing 6 mm



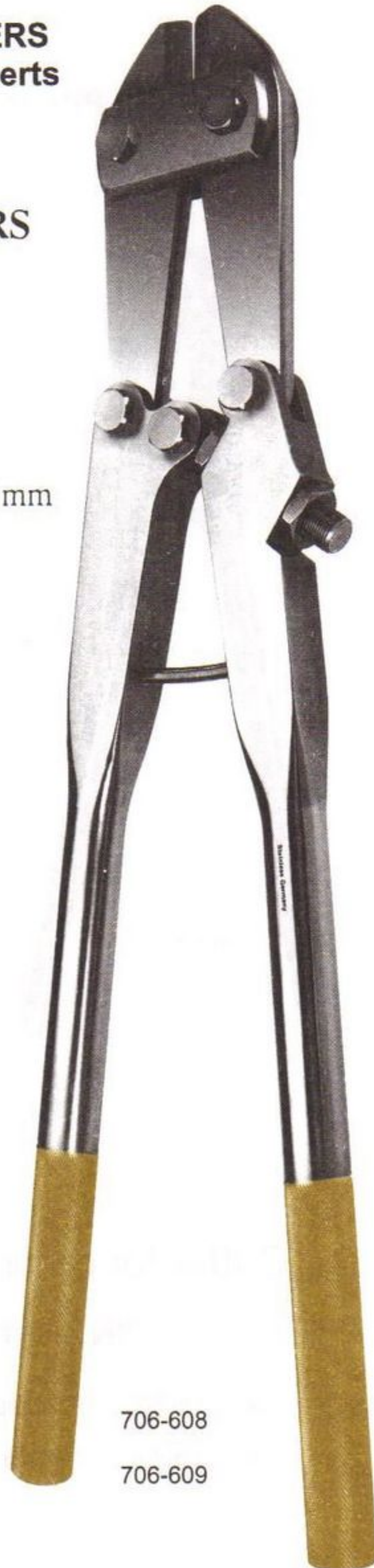
706-606

706-607

Cutter for cutting of Kirschner wires.
Steinmann Pins up to 6 mm dia. hard

PIN and ROD SIDE CUTTERS

- 706-606 Pin Cutter, 17-3/4" (45cm) side cutting, TC Jaws
- 706-607 Pin Cutter, 22" (56cm) side cutting, TC Jaws
- 706-608 Pin Cutter, 17-3/4" (47cm) side cutting,
TC Jaws with Adj. Bolt
- 706-609 Pin Cutter, 22" (56cm) side cutting,
TC Jaws with Adj. Bolt

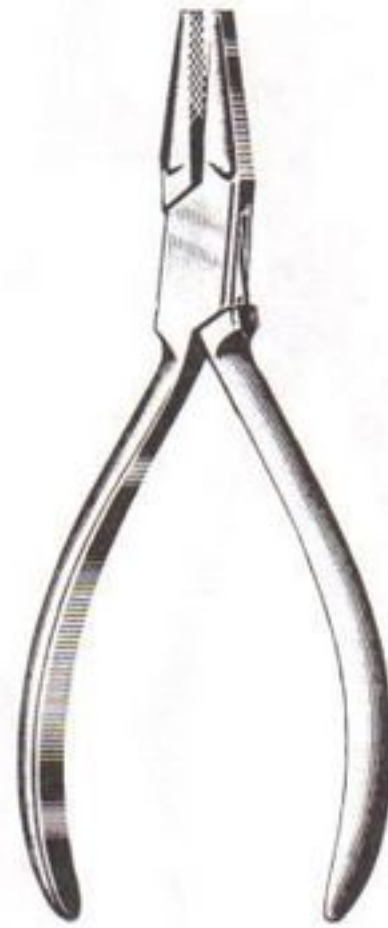


706-608

706-609



706-610



706-615



706-620



706-625



706-051

WIRE CUTTERS and PLIERS

- | | |
|---------|---|
| 706-051 | "Diamond" Pin and Wire Cutter, 6 1/2" |
| 706-610 | Flat Nose Pliers, 6" Delicate, 2mm Tip |
| 706-615 | Flat Nose Pliers, 5 1/2" |
| 706-620 | Flat Nose Pliers, 6 1/2" 3.5mm Tip
Combination Pliers and Cutter |
| 706-625 | Pin and Wire Cutter, 6 1/2" |



NEEDLE NOSE PLIERS – SEIZING FORCEPS

- A** 706-635 Double Action Flat Nose Pliers, 6 ¼"
- B** 706-640 Needle Nose Pliers with Groove, 5 ½" Delicate
- C** 706-645 Flat Nose Seizing Forceps, 15cm 6"
- D** 706-650 Needle Nose Pliers, 5 ½"